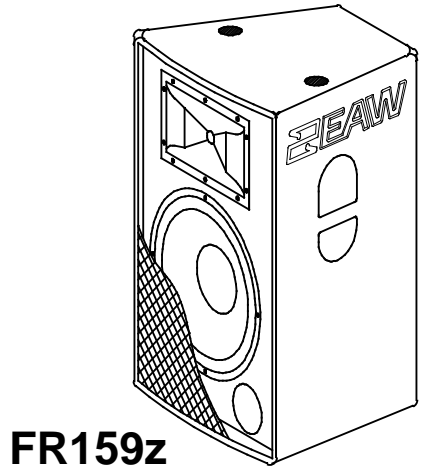
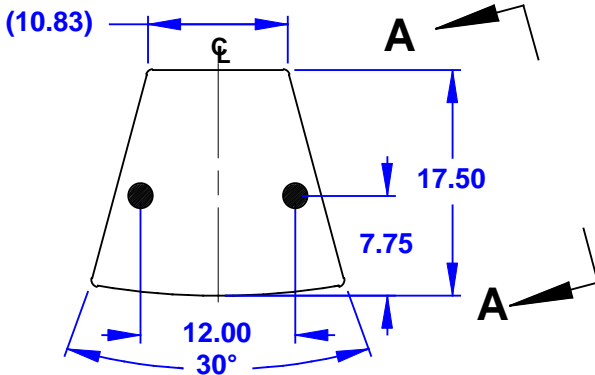


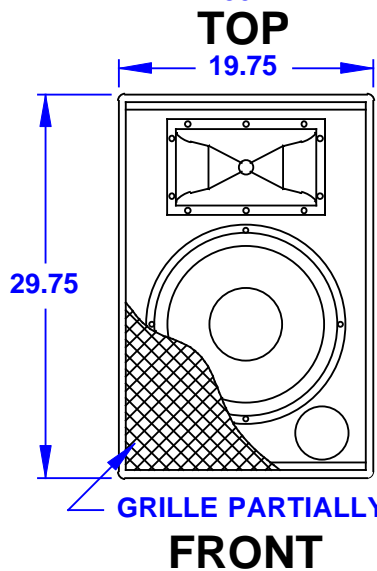
**NOTES:**

1. SYMBOL ● INDICATES MOUNTING POINT, 3/8-16 THREADED HOLE (RIVNUT).
2. SYMBOL ● INDICATES MOUNTING POINT, 3/8-16 THREADED HOLE (NUT PLATE).
3. SYMBOL ⊙ INDICATES RUBBER FOOT.
4. SYMBOL ⊕ INDICATES CENTER OF BALANCE
5. WEIGHT APPROX. 62 LBS.
6. SHIPPING WEIGHT APPROX. 75 LBS.

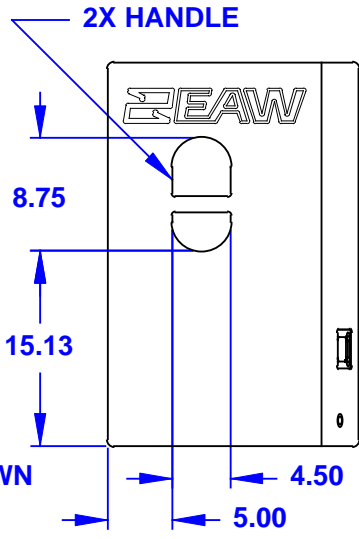
REV	DESCRIPTION	APVD/DATE
1	REVISED PER ECO #4923 DM 10/11/00	KFH 10/13/00



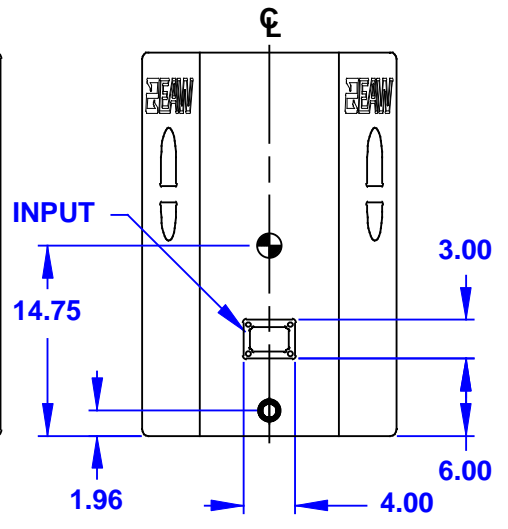
**FR159z**



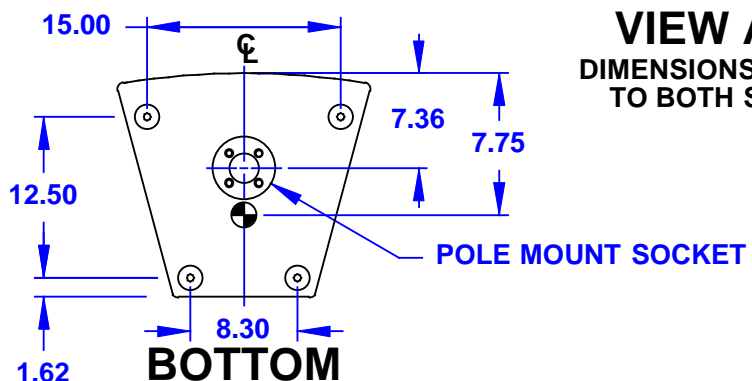
**FRONT**



**VIEW A-A**  
DIMENSIONS APPLY TO BOTH SIDES



**BACK**



**BOTTOM**

DOCUMENT CONTROL PER SPECIFICATION 4.5.201

<p>THIRD ANGLE PROJECTION</p> <p>THIS DRAWING IS THE PROPERTY OF EAW AND SHALL NOT BE COPIED, REPRODUCED, OR USED AS THE BASIS FOR MANUFACTURE OR SALE OF APPARATUS WITHOUT WRITTEN AUTHORIZATION. DO NOT SCALE DRAWING.</p>	<p>UNLESS OTHERWISE SPECIFIED: ALL DIMENSIONS ARE IN INCHES</p> <p>TOLERANCE IN INCHES .XX ± .13 ANGLES ± 1°</p> <p>(X.XX) = REF DIMS NO TOLERANCE IMPLIED</p> <p>T.S.C.=THEORETICAL SHARP CORNER</p> <p>DIMENSIONS ACROSS CENTERLINES TO BE SYMMETRICAL</p>	<p>STATUS: <b>PRODUCTION</b></p>		<p><b>EAW</b> EASTERN ACOUSTIC WORKS ONE MAIN STREET WHITINSVILLE, MA 01588 USA</p> <p>TITLE: CABINET/FINISHED/FR159z [MECHANICAL SPECIFICATION]</p>		
		APPROVALS	DATE		<p>A SHEET 1 OF 1</p>	
		DRAWN: MFL	7/16/99			<p>SCALE: 1 TO 14</p>
		CHECKED: FEL	3/29/00			
DES ENG: RJM	3/31/00					
MFG ENG: DBD	4/6/00	DRAWING NUMBER: 510940	REVISION: 1			